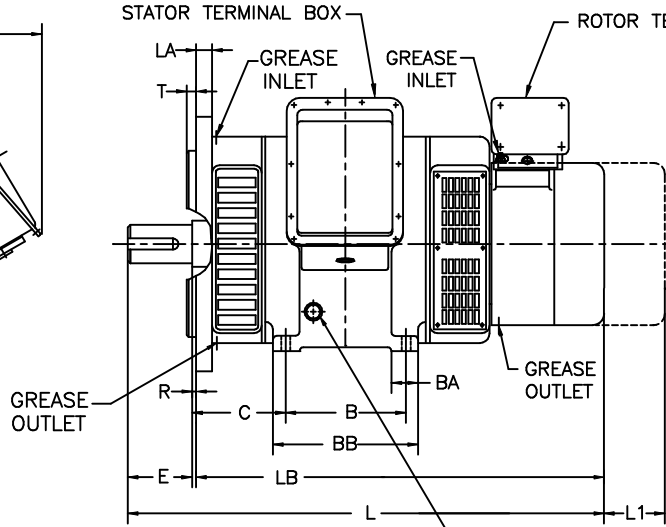
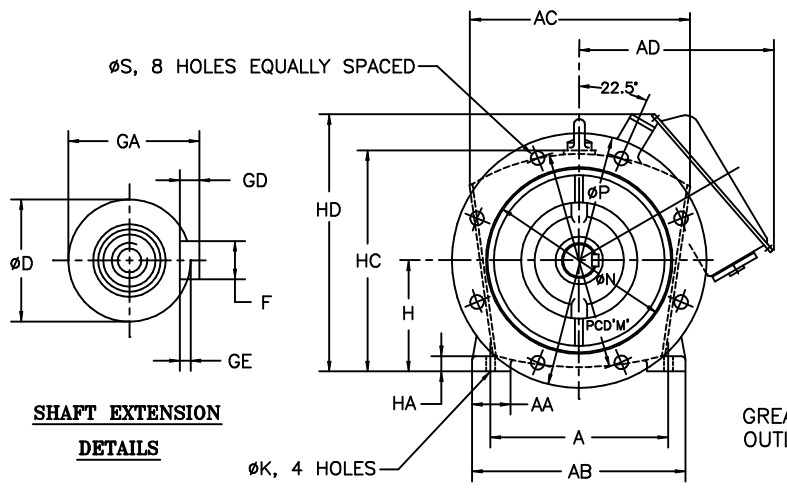


AS PER KSD-02-027

SURFACE ROUGHNESS (MAXIMUM)	R _a (mm)	0.025	0.05	0.1	0.2	0.4	0.6	0.8	1.6	3.2	6.3	12.5	25	50
		NEW	NEW	NEW	NEW	NEW	NEW	NEW	NEW	NEW	NEW	NEW	NEW	NEW



- NOTE:-**
- DIMENSIONS ARE AS PER IS:1231 & 2223.
 - DEGREE OF PROTECTION IP:22 (IP:23 CAN BE GIVEN AS AN OPTION)
 - TOLERANCE ON H: FOR 250 +0.00 -0.50
FOR 280 & 315 +0.00 -1.00
 - TOLERANCE ON D: m6
 - PROTECTED CENTRE HOLE
M20 x 40 DEEP FOR "D" 75 & 80
AND M24 x 50 DEEP FOR "D" 90
AS PER IS:2540 AT SHAFT EXTENSION.
 - TOLERANCE ON M: ±1
 - TOLERANCE ON N: js6

ALL INFORMATION CONTAINED IN THIS DOCUMENT IS CONFIDENTIAL AND THE PROPERTY OF KIRLOSKAR ELECTRIC CO. LTD. REPRODUCTION OF THESE IN ANY FORM IS TO BE DONE WITH THE SPECIFIC PERMISSION OF THE COMPANY.

BSB 315M	4, 6, & 8	508	110	620	730	690	457	120	540	216	90	170	25	95	14	9	315	32	630	840	28	1455	200	25	1285	740	680	800	0	24	6
BSB 315S	4, 6, & 8	508	110	620	730	690	406	120	490	216	90	170	25	95	14	9	315	32	630	840	28	1405	200	25	1235	740	680	800	0	24	6
BSB 280M	4, 6, & 8	457	90	545	650	660	419	90	483	190	80	170	22	85	14	9	280	32	555	760	24	1320	160	22	1180	600	550	660	0	24	6
BSB 280S	4, 6, & 8	457	90	545	650	660	368	90	432	190	80	170	22	85	14	9	280	32	555	760	24	1270	160	22	1130	600	550	660	0	24	6
BSB 250M	4, 6, & 8	406	82	490	585	555	349	102	410	168	75	140	20	79.5	12	7.5	250	28	503	730	24	1175	160	22	1035	600	550	660	0	24	6
BSB 250S	4, 6, & 8	406	82	490	585	555	311	102	370	168	75	140	20	79.5	12	7.5	250	28	503	730	24	1135	160	22	995	600	550	660	0	24	6

FRAME	POLE	A	AA	AB	AC	AD	B	BA	BB	C	D	E	F	GA	GD	GE	H	HA	HC	HD	K	L	L1	LA	LB	M	N	P	R	S	T
-------	------	---	----	----	----	----	---	----	----	---	---	---	---	----	----	----	---	----	----	----	---	---	----	----	----	---	---	---	---	---	---

ANGLES ± 1/2°	UC:	1000	2000	4000				
	CHAM:	0	315	1000	2000	4000	8000	
LINEAR DIMENSIONS (MACHINED)	ABOVE UPTO TOLERANCE	0	6	315	1000	2000	4000	8000
		±0.2	±0.5	±0.8	±1.2	±2	±3	

REV.	ZONE	BRIEF RECORD	SIGNATURE	DATE	
3	A,B-2	HD DIMENSION 840, 760 & 730 WAS 810, 745 & 585 RESPECTIVELY.		05/2/04	
2	D-1,2	DEGREE OF PROTECTION : IP:22 WAS IP:23	Sd/-	18/6/03	
1	C,D-1,2,6	LUBRICATOR PIPE ADDED AT DE & NOTE 6,7 ADDED.	Sd/-	98/7/02	
					MKTG.AC.M
					PP & MM

THIS SUPERSEDES _____ FROM dt. _____ SIGN & dt. _____
 THIS SUPERSEDED BY _____ FROM dt. _____ SIGN & dt. _____

MATERIAL SPECIFICATION	RAW MATERIAL SIZE	WEIGHT kg
		RM FIN.

CRSTNG/FAB REF. _____ No.P.S.: 1

USED ON _____

BSB 250 TO 315

TITLE: **DIMENSIONAL DRAWING**

31103797 R3

SHEET NO. 078 OF 078

SCALE: NTS

DRAWN: _____ CHECKED: _____ APPROVED: _____

dt. 97/02/18 dt. 97/02/18 dt. 97/02/18

PRINTS ISSUED TO _____

KIRLOSKAR ELECTRIC COMPANY LTD. BANGALORE - 560055 (INDIA)

FORM No. 11-401033